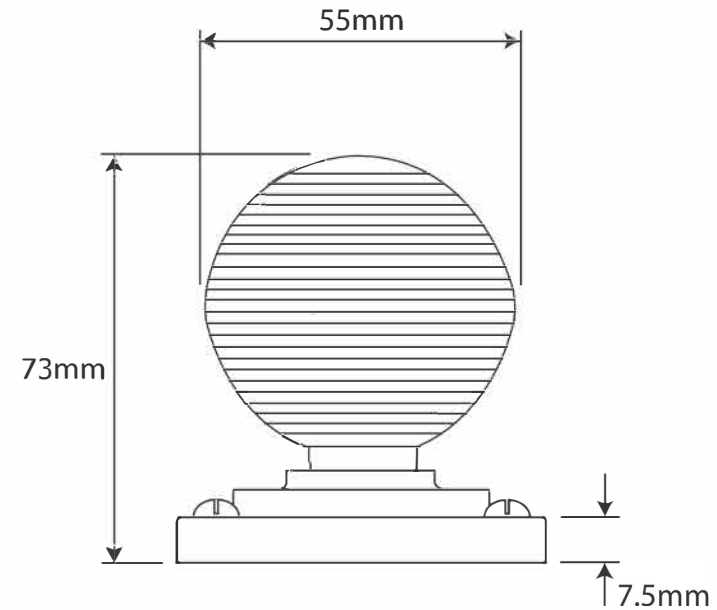
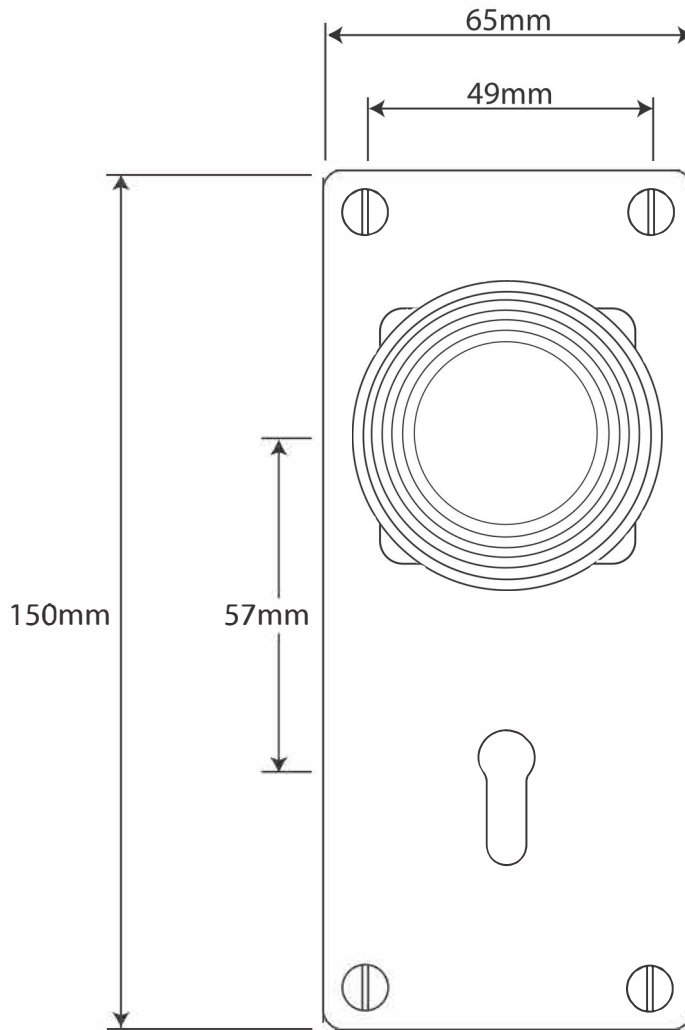


P/N. FD708

ALL DIMENSIONS IN
MM UNLESS STATED

THE CONTENTS OF THIS DRAWING ARE COPYRIGHT AND SHOULD NOT BE
REPRODUCED WITHOUT THE PERMISSION OF DJH ENGINEERING

Finesse
Fine Pewter Hardware
MADE IN BRITAIN



| | | | | QTY | |
|--------------|-------------|-----------------|---|--------------|----------|
| | | | | DRG. | D. Urwin |
| | | | | DATE | 20/10/23 |
| 1 | 20/10/23 | | | SCALE | N/A |
| ISSUE | DATE | REVISION | DESCRIPTION | MATL. | Pewter |
| | | | FD 708 Beehive Door Knob on Jesmond Lock/Keyhole Backplate. | CODE | FD708 |