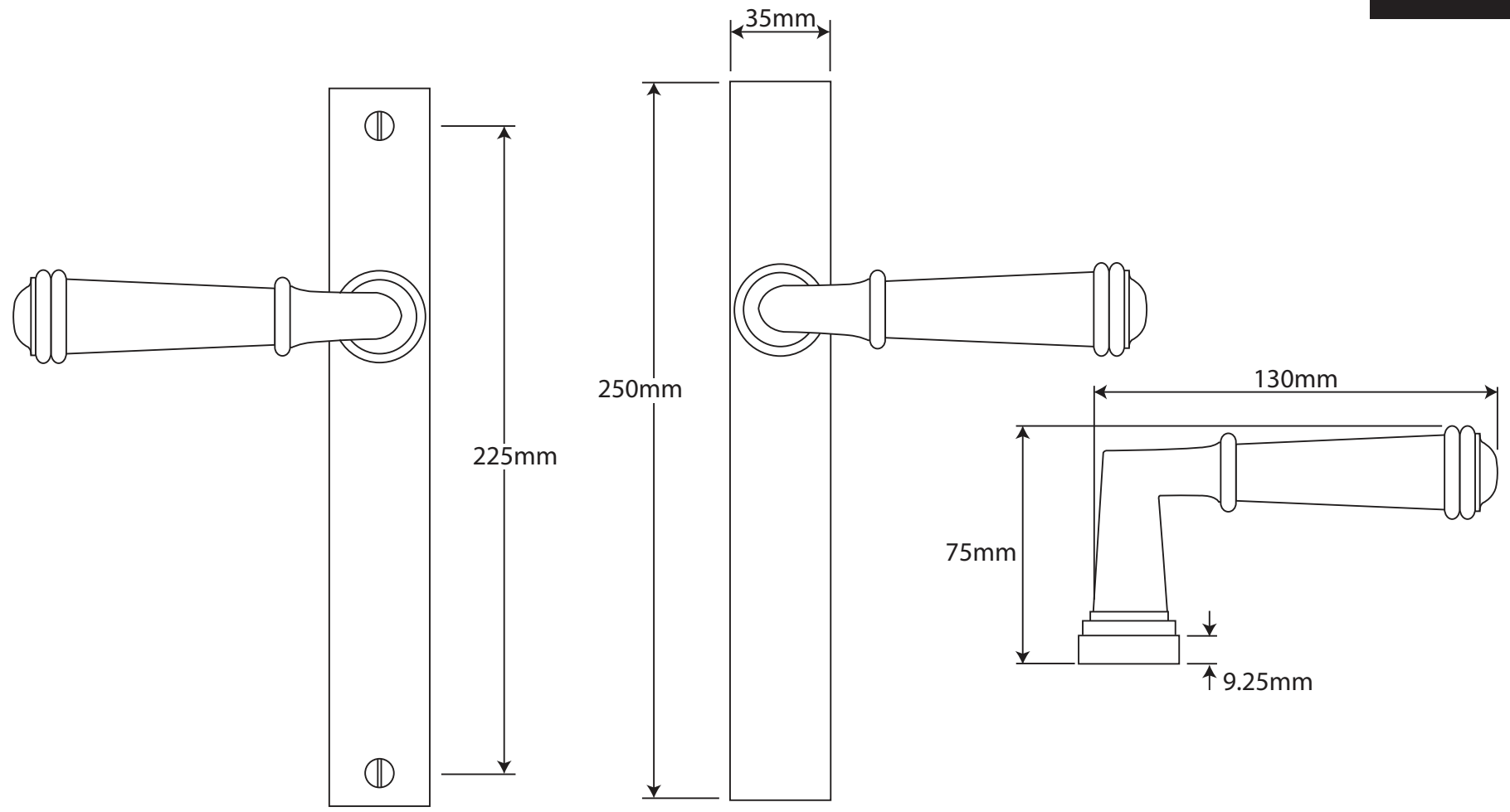


P/N. FDMP11 ALL DIMENSIONS IN MM UNLESS STATED

THE CONTENTS OF THIS DRAWING ARE COPYRIGHT AND SHOULD NOT BE REPRODUCED WITHOUT THE PERMISSION OF DJH ENGINEERING



						QTY	
				DESCRIPTION		DRG. D. Urwin	
				FDMP11 Durham Multipoint Passage Backplate.		DATE 20/09/18	
1	20/09/18		LT REF.	H:\Finess & Stonebridge Handle Hardware\Finesse\ Dim Dwgs\FDMP11.pdf		SCALE N/A	
ISSUE	DATE	REVISION	MATL.	Pewter		CODE FDMP11	